

# DeLaval Plast™

## Fast curing coating for all surfaces



---

# DeLaval Plast™ Key benefits

---

- Quick curing time
- Can be installed in low temperatures
- Excellent resistance to humidity
- No discoloring due to high UV resistance
- Excellent adhesion to all surfaces
- High chemical resistance

DeLaval Plast™ provides a non-slip, hard wearing surface for best safety for you and your cows. It protects surfaces from aggressive acids and detergents, and on feeding tables provides long-lasting durable protection for best feeding results.

## DeLaval Plast™ surface protection helps your surfaces to fight back.

At DeLaval we are very aware of the potential for wear and tear in areas like the parlour, milk room and feeding table. To help solve the problem of worn out surfaces, we offer you safe and comfortable surfaces which are easy to install, clean and maintain.

DeLaval Plast™ surface protection solutions can be applied in new or existing barns, with very short installation times (between feedings or milkings in many cases). All solutions will help you to extend the building's lifetime, and improve hygiene and cleanliness in your daily milk production spaces.

---

**Protect yourself,  
your cows  
and your future**

---

High Quality Surface Coating ensures:

- No compromise in hygiene and food safety
- Animal health
- Less cleaning workload
- Safe working surfaces
- High comfort levels for people and cows

# What can DeLaval Plast™ add to the most important rooms on your farm?



## Parlour

Parlour floors and walls are under constant pressure. Cow traffic, lactic acid, manure, detergents and high-pressure cleaning all take their toll. Even a tough concrete floor becomes worn and slippery, a hazard for cows and milkers. A surface covered with DeLaval Plast™ is hygienic, easy to clean and improves safety, reducing falls and overall stress for you and your cows.



## Feeding Table

Feed represents around 40% of milk production costs. A feeding table is highly exposed to the silage acids which damage concrete surfaces, providing a breeding ground for bacteria. DeLaval Plast™ protects the feed table, preserving feed quality, feed intake, cow productivity and ultimately your profit.



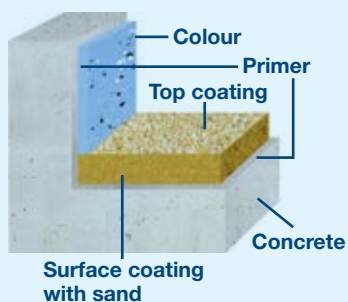
## Milk Room

DeLaval Plast™ comprises of a primer, a two-component coating and high-quality quartz sand to withstand daily mechanical and chemical attack on a dairy farm. The top coat completes long-lasting surfaces that will remain non-slippery, even when wet. DeLaval Plast™ is the ideal solution for your milk room where safe, hygienic and seamless surfaces are required.

# The choice is yours

DeLaval offers a variety of surface colours for your walls, floors, milk room and feed table. Simply choose the DeLaval Plast™ colour you prefer and an expert DeLaval representative will apply it for you.

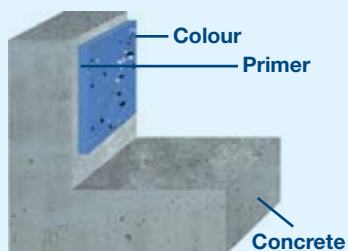
## Parlour Floor



To create a strong and non-slippery walking area, the process begins with the application of a protective primer. A coating layer of quartz sand is applied to ensure grip underfoot. The surface is then sealed with a hard wearing transparent top coating of various sand grades, to ensure the perfect combination of grip and avoiding unwanted abrasion.



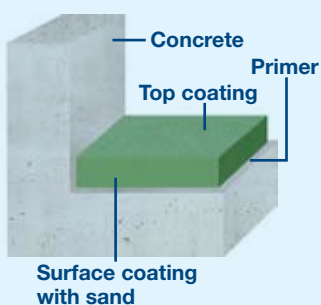
## Wall application



The application of primer is followed by one or two layers of wall coating in the desired colour. For a nice textured finish, décor flakes can be applied as an option.



## Feeding table



After the primer base layer is applied, thickened quartz sand is blended with the preferred colour and coated on the flooring surface. This evens the floor and leaves a smooth surface. A hard, transparent, top coating can be applied to guarantee durability.



# Easy and convenient to apply

## Application method



1. Before applying any type of surface coating, all surfaces have to be prepared properly. This ensures best adhesion for a good final result.



2. All DeLaval Plast™ floors and walls are built-up with a primer applied on a dry, clean surface. Easy to apply with roller or squeegee.



3. To make a smooth feeding table the primer is followed by a mixture of DeLaval Plast™ coating and high-quality quartz sand. For walls, two layers of DeLaval Plast™ colour are rolled on.



4. The top coating gives the final finish to long-lasting surfaces that will remain easy to clean and safe.



5. After only one hour of curing time your feeding table is ready again for usage with a smooth, long lasting and bacteria free surface to enjoy for decades.



4-6 hours from application to your cows eating again.

# Easy installation provides excellent customer satisfaction

Richard and Corina Kobelt put DeLaval Plast™ in their milking parlour, milking room and on the feedtable. Even though the installation was 2 years ago the feedtable still looks new today, because it is so easy to clean. The topcoating is wear resistant and the acids present in some feeds don't have a chance to penetrate and damage the surface.



“

The application was easy and quick. The dealer did it. When the feeding table was applied, the barn was half filled. It was applied while cows were inside. It was quick and dried quickly. No problems, or break in the normal dairy work routine.

It is important to have a high hygienic standard in a farm. It's a long lasting solution I can trust.

**RICHARD KOBELT, SWITZERLAND**

”



#### Country 1

Address line 1  
address line 2  
Tel XX XXX XX XX  
Fax XX XXX XX XX  
e-mail address

#### Country 1

Address line 1  
address line 2  
Tel XX XXX XX XX  
Fax XX XXX XX XX  
e-mail address